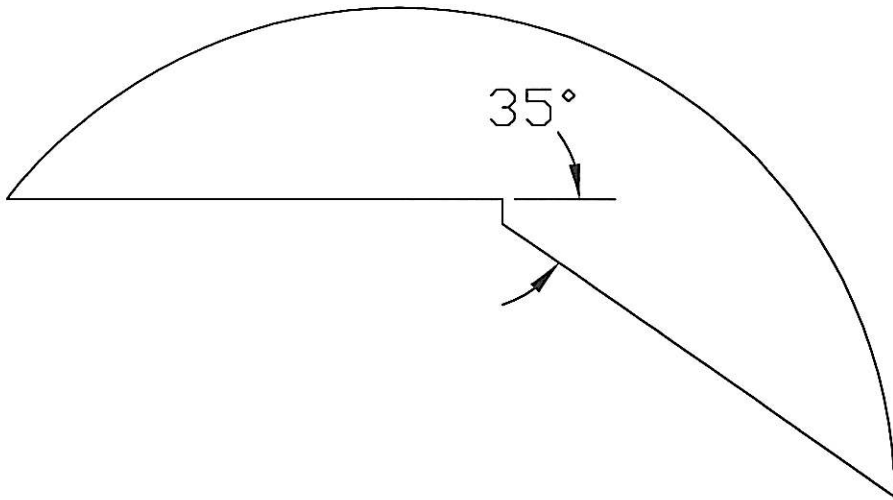
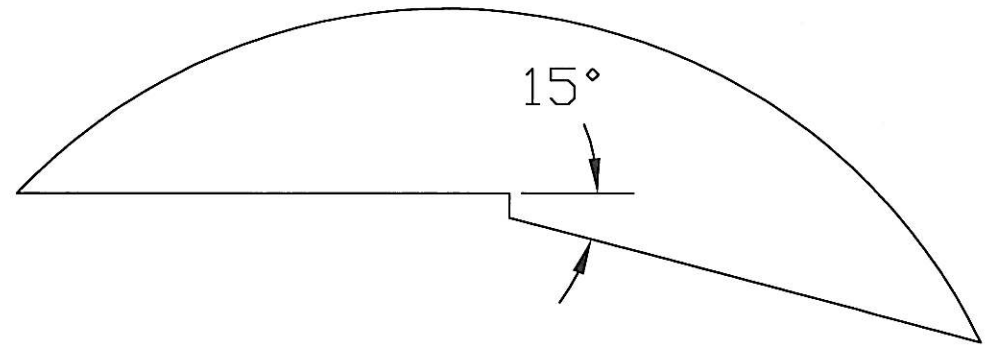


F-86 SABRE FLAP TEMPLATES

LANDING FLAPS



TAKE-OFF FLAPS



THESE ARE RECOMMENDED SETTINGS FOR MOST LANDING FIELD CONDITIONS. EXPERIMENT WITH MORE OR LESS FLAP ANGLE. CHANGE IN 5 DEGREE INCREMENTS ONLY. MAKE A POSTER BOARD OR PLYWOOD GAUGE FROM TEMPLATES.