

规格 / Specifications:

翼展 / Wingspan	1245 mm / 49 in
机长 / Length	1809 mm / 71.2 in
重量 / Weight	5.1 Kg / 11.2 ib (8S) 、 5.6 Kg / 12.3 ib (12S)
材料 / Material	EPO
涵道 / EDF	105mm EDF, 12 叶 / blades
起落架 / Landing gear	全金属油压减震电动收放 / All metal oil shock electric retractable

配置 / Configuration:

电机 / Motor	4258 / 1000KV(8S), 4258 / 700KV(12S) 无刷 / Brushless
电调 / ESC	160A 专业无刷 / Pro Brushless (2s~12s)
电池 / Battery	6S, 5000mAh, 40C / 8S, 5000mAh, 40C 锂电 / Li-Po
舵机 / Servo	25g×4 PCS, 12g×8 PCS



扫码关注，谢谢支持！

www.hsdr.com www.hsdgo.com

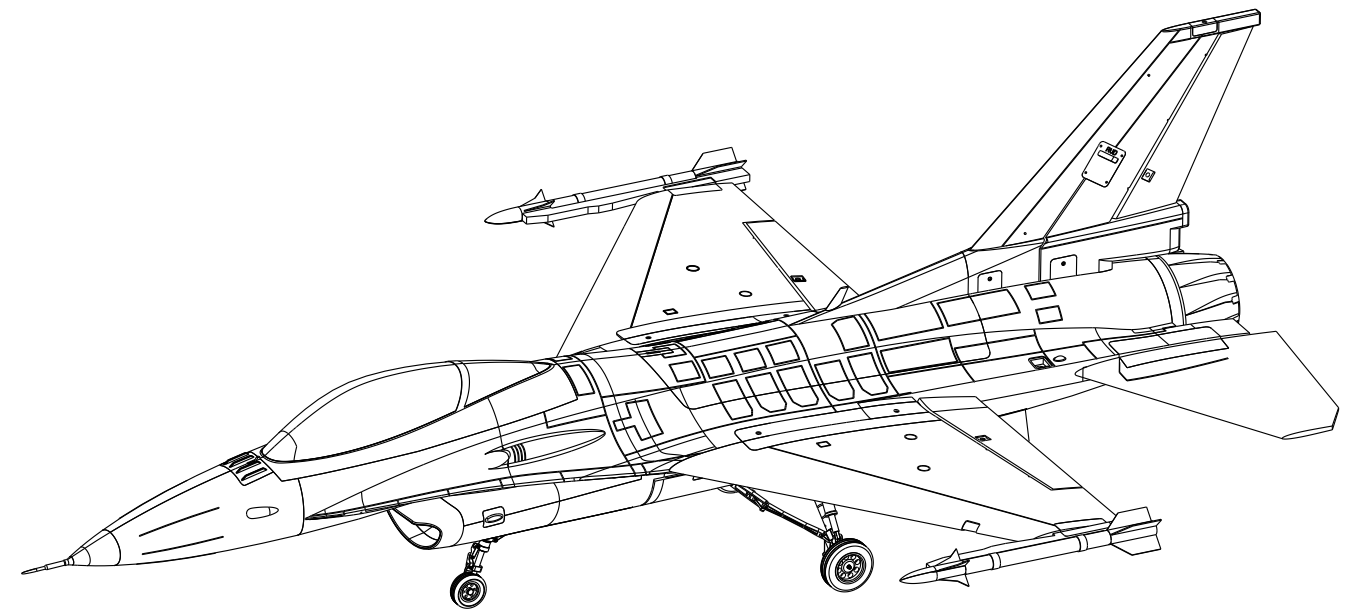
hsd@hsdjetshuang sai.com

贵州省安顺市西秀区西秀产业园区标准化厂房 F6 栋(邮编: 561099)

Building F6, Standardized Factory Buildings, Xixiu Industrial Park, Xixiu District, Anshun City, Guizhou Province, China (Post: 561099)

# HSDJETS®

## 105mm EDF F-16 EPO 快速组装说明 QUICK SETUP MANUAL



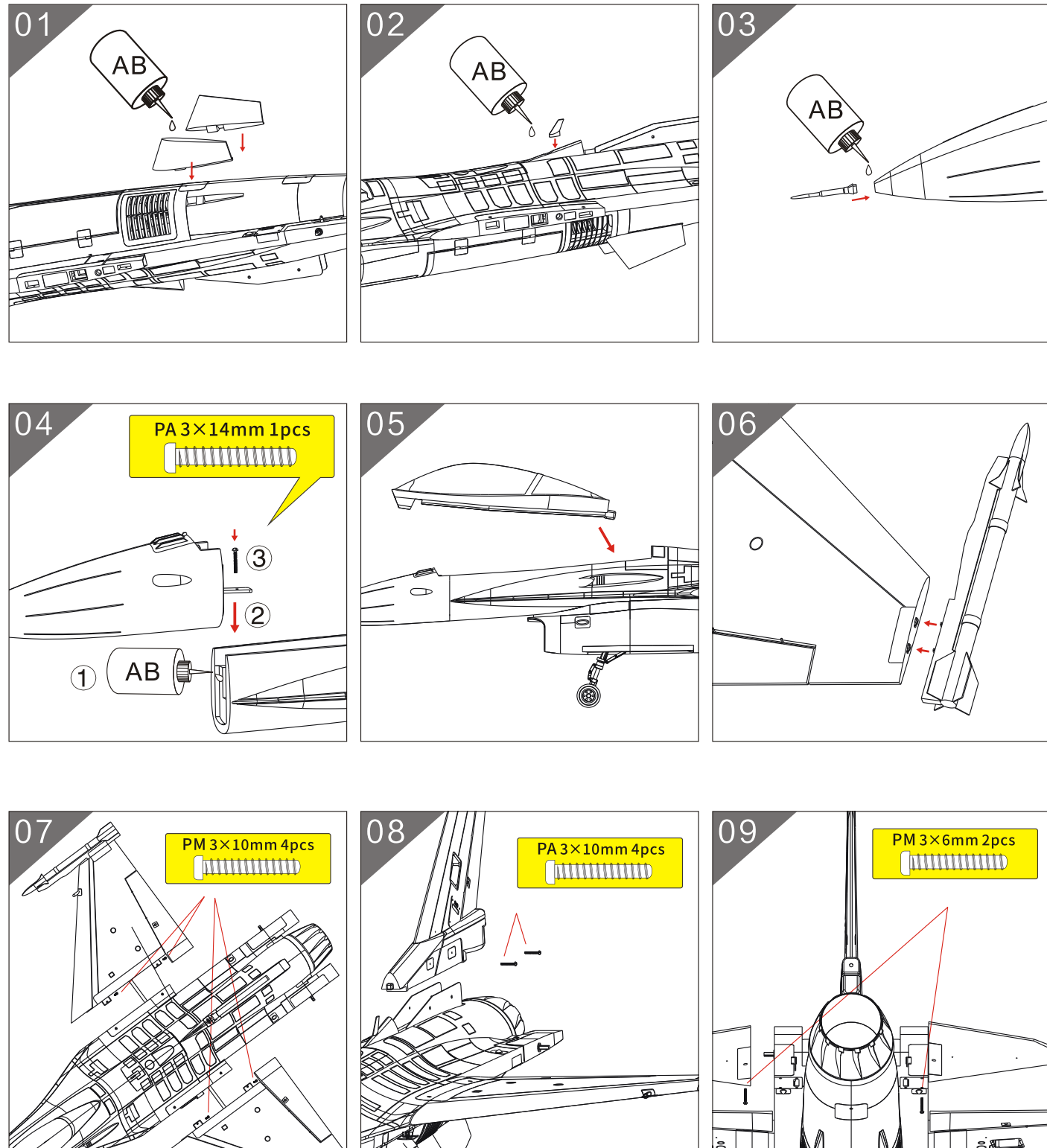
产品序列号:

想了解更多产品视频、图片、注意事项等信息  
请登陆: www.hsdr.com www.hsdgo.com

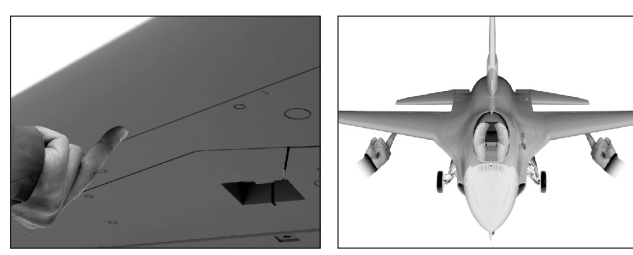
Want to learn more about the product video, pictures, and other matters of attention Please log in: www.hsdr.com www.hsdgo.com

# 105mm EDF F-16 EPO

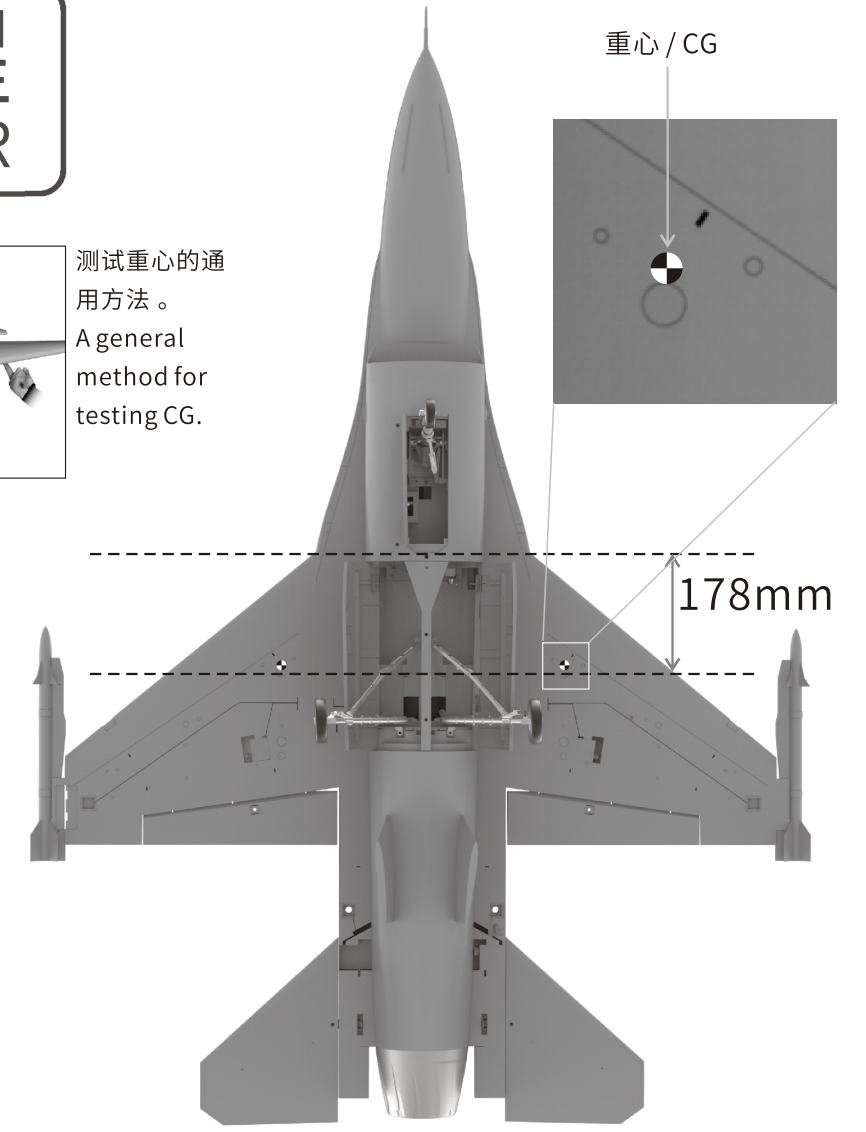
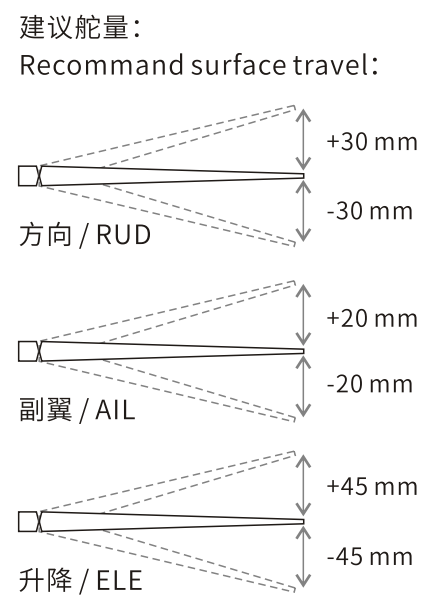
## 组装步骤 / ASSEMBLY



## 特别提醒 SPECIAL REMINDER



测试重心的通用方法。  
A general method for testing CG.

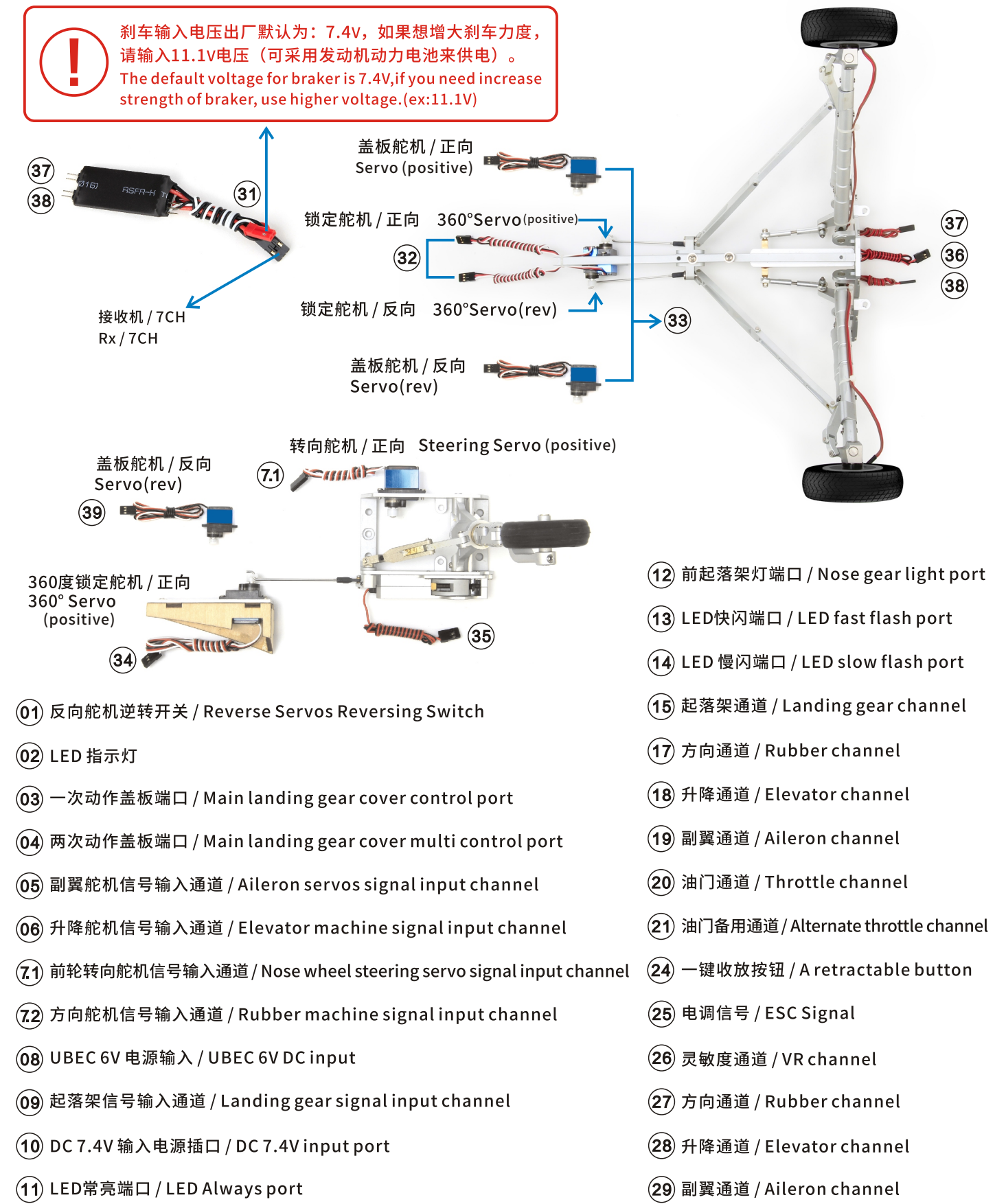
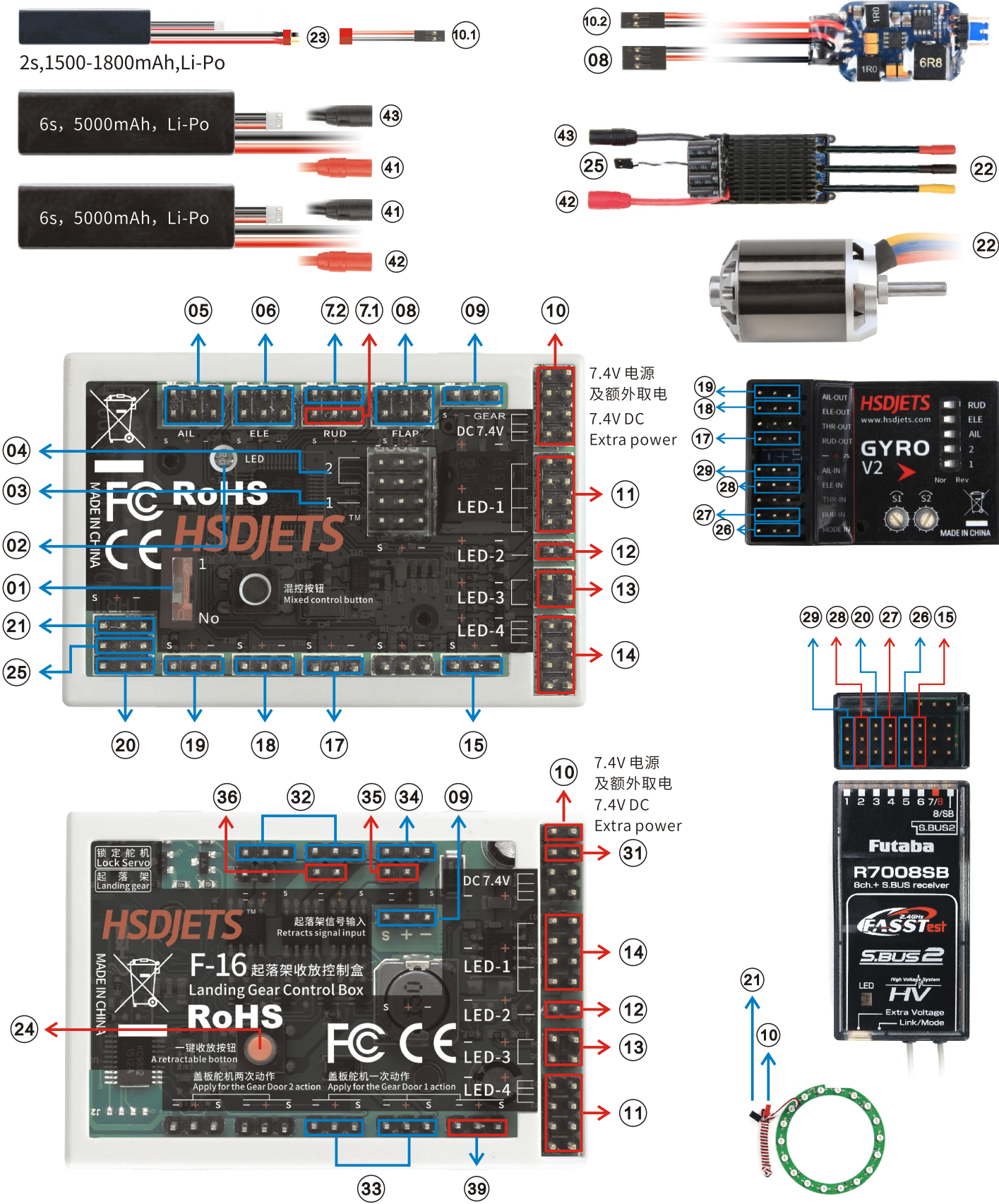


注意: 平尾与机身上面边缘齐平为基准, 平尾向上翘 5 mm。  
Note: Take the fuselage margin as reference, the horizontal tail upward 5 mm.



# 105mm EDF F-16 EPO

## 接线图 / CONNECTION GUIDE



01 反向舵机逆转开关 / Reverse Servos Reversing Switch

02 LED 指示灯

03 一次动作盖板端口 / Main landing gear cover control port

04 两次动作盖板端口 / Main landing gear cover multi control port

05 副翼舵机信号输入通道 / Aileron servos signal input channel

06 升降舵机信号输入通道 / Elevator machine signal input channel

07 前轮转向舵机信号输入通道 / Nose wheel steering servo signal input channel

08 方向舵机信号输入通道 / Rubber machine signal input channel

09 起落架信号输入通道 / Landing gear signal input channel

10 DC 7.4V 输入电源插口 / DC 7.4V input port

11 LED常亮端口 / LED Always port

12 前起落架灯端口 / Nose gear light port

13 LED快闪端口 / LED fast flash port

14 LED慢闪端口 / LED slow flash port

15 起落架通道 / Landing gear channel

17 方向通道 / Rubber channel

18 升降通道 / Elevator channel

19 副翼通道 / Aileron channel

20 油门通道 / Throttle channel

21 油门备用通道 / Alternate throttle channel

24 一键收放按钮 / A retractable button

25 电调信号 / ESC Signal

26 灵敏度通道 / VR channel

27 方向通道 / Rubber channel

28 升降通道 / Elevator channel

29 副翼通道 / Aileron channel



# 105mm EDF F-16 EPO

## 起落架爆炸图 / DECOMPOSITION GRAPH

